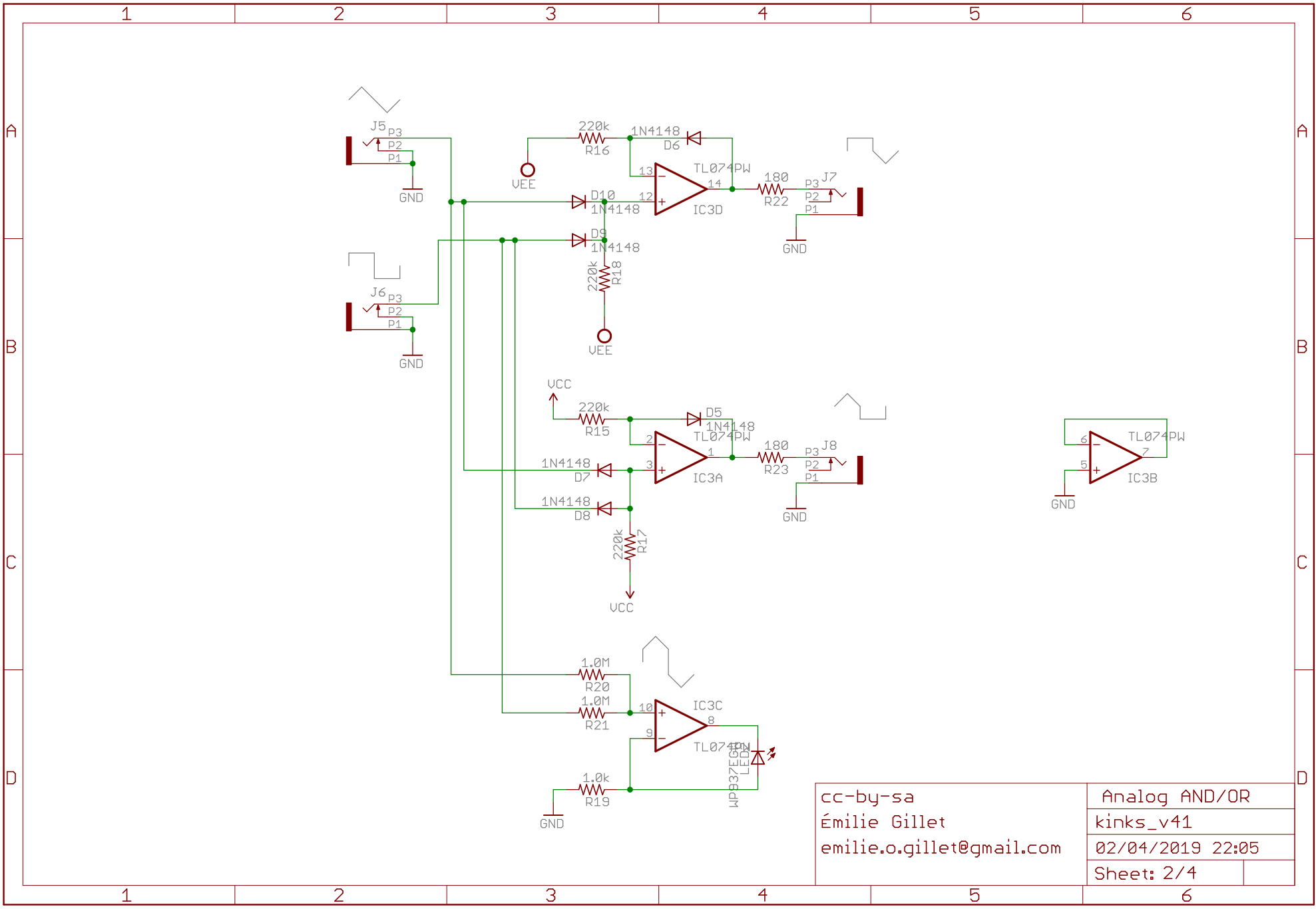
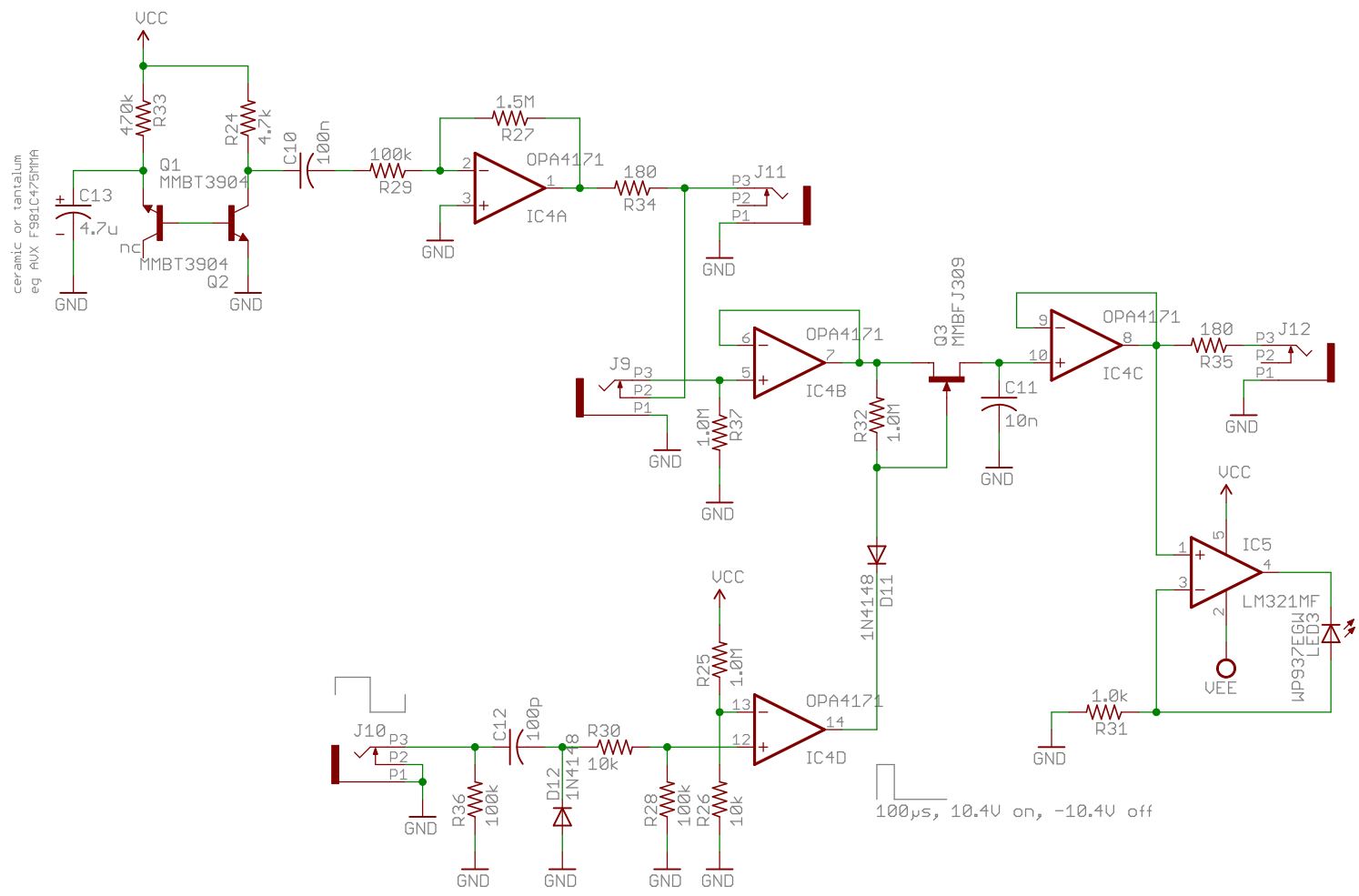


cc-by-sa Émilie Gillet emilie.o.gillet@gmail.com	HW/FW rectifiers
	kinks_v41
	02/04/2019 22:05
	Sheet: 1/4



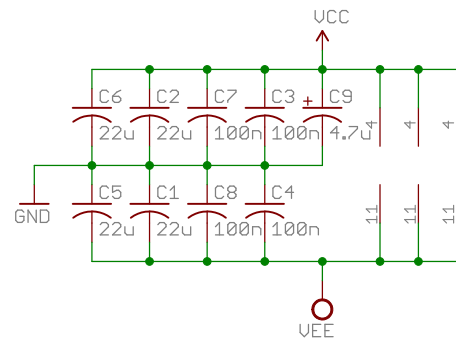
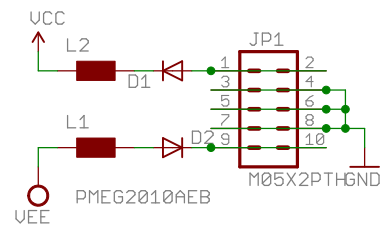
cc-by-sa
 Émilie Gillet
 emilie.o.gillet@gmail.com

Analog AND/OR	
kinks_v41	
02/04/2019 22:05	
Sheet: 2/4	



cc-by-sa
 Émilie Gillet
 emilie.o.gillet@gmail.com

Sample and hold	
kinks_v41	
02/04/2019 22:05	
Sheet: 3/4	



C9:
ceramic or tantalum
eg AUX F981C475MMA

cc-by-sa
Émilie Gillet
emilie.o.gillet@gmail.com

Power entry	
kinks_v41	
02/04/2019 22:05	
Sheet: 4/4	